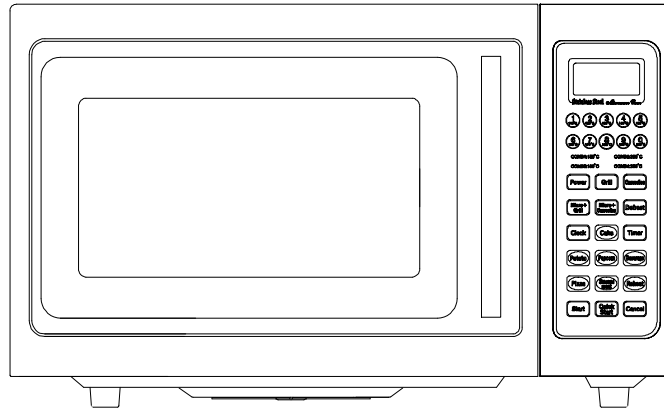




MODEL: MW9001

CONVECTION MICROWAVE OVEN



User's Guide

After Sales Support

Now you have purchased a Delta product you can rest assured in the knowledge that as well as your 3 year parts and labour warranty you have the added peace of mind of dedicated helplines.

AFTER SALES SUPPORT

UK / N.IRELAND HELPLINE NO 01422 263275

REP. IRELAND HELPLINE NO 1890 882 340

WEB SUPPORT www.mpc-group.com/aldi_uk

Please read these instructions carefully before installing and operating the oven.

PRECAUTIONS TO AVOID POSSIBLE EXPOSURE TO EXCESSIVE MICROWAVE ENERGY

1. Do not attempt to defeat the safety interlocks and operate this oven with the door open since operation with the door open can result in harmful exposure to microwave energy.
2. Do not place any object between the oven front face and the door or allow food or cleaner residue to accumulate on the sealing surfaces.
3. Do not operate the oven if it is damaged. It is particularly important that the oven door closes properly and that there is no damage to any of the following;
 - a. Door (bent),
 - b. Hinges and latches (broken or loosened),
 - c. Door seals and sealing surfaces.
4. The oven should not be adjusted or repaired by anyone except properly qualified service personnel.

CONTENTS

PRECAUTIONS TO AVOID POSSIBLE EXPOSURE TO EXCESSIVE MICROWAVE ENERGY	1
SPECIFICATIONS	2
BEFORE YOU CALL FOR SERVICE	2
INSTALLATION	2
GROUNDING INSTRUCTIONS	3
RADIO INTERFERENCE	3
IMPORTANT SAFETY INSTRUCTIONS	3
MICROWAVE COOKING PRINCIPLES	4
UTENSILS GUIDE	4
PART NAMES	6
CONTROL PANEL	7
HOW TO SET THE OVEN CONTROLS	8
SETTING THE CLOCK	8
MICROWAVE COOKING	8
GRILL	8
CONVECTION	8
MICROWAVE +GRILL	9
MICROWAVE +CONVECTION	9
DEFROST	10
MULTI-STAGE COOKING	10
SETTINGS ABOUT AUTO-MENU	11
CLEANING AND CARE	12

SPECIFICATIONS*

Power Consumption:	230V, 50Hz, 1400W (Microwave)
	1400W (Convection)
	1200W (Grill)
Rated Microwave Output:	900W
Operation Frequency:	2450MHz
Outside Dimensions:	310mm(H)×508mm(W)×458mm(D)
Oven Cavity Dimensions:	210mm(H)×338mm(W)×348mm(D)
Oven Capacity:	25Litres
Cooking Uniformity:	Turntable System{Φ314mm}
Net Weight:	Approx. 19kg

*The above specification is subject to change without notice. Please refer to the rating plate on your product for confirmation of Power Consumption.

BEFORE YOU CALL FOR SERVICE

If the oven fails to operate:

1. Check to ensure that the oven is plugged in securely. If it is not, remove the plug from the outlet, wait 10 seconds, and plug it in again securely.
2. Check for a blown circuit fuse or a tripped main circuit breaker. If these seem to be operating properly, test the outlet with another appliance.
3. Check to ensure that the control panel is programmed correctly and the timer is set.
4. Check to ensure that the door is securely

closed engaging the door safety lock system. Otherwise, the microwave energy will not flow into the oven.

IF NONE OF THE ABOVE RECTIFY THE SITUATION, THEN CONTACT A QUALIFIED TECHNICIAN. DO NOT TRY TO ADJUST OR REPAIR THE OVEN YOURSELF.

INSTALLATION

1. Make sure that all the packing materials are removed from the inside of the unit.
2. **WARNING:** Check the oven for any damage, such as misaligned or bent door, damaged door seals and sealing surface, broken or loose door hinges and latches and dents inside the cavity or on the door. If there is any damage, do not operate the oven and contact qualified service personnel.
3. This microwave oven must be placed on a flat, stable surface to hold its own weight and the heaviest food likely to be cooked in the oven.
4. Do not place the oven where heat, moisture, or high humidity are generated, or near combustible materials.
5. For correct operation, the oven must have sufficient airflow. Allow 20cm of space above the oven, 10cm at back and 5cm at

- both sides. Do not cover or block any openings on the appliance. Do not remove feet.
6. Do not operate the oven without the glass tray, roller support, and shaft in their proper positions.
 7. Make sure that the power supply cord is undamaged and does not run under the oven or over any hot or sharp surfaces.
 8. The socket must be readily accessible so that it can be easily unplugged in an emergency.
 9. Do not use the oven outdoors.

EARTHING INSTRUCTIONS

This appliance must be earthed. This oven is equipped with a power cord having an earth wire wired to a 13A 3 pin plug conforming to BS1363 and protected by a 13A BS1362 fuse. It must be plugged into a wall receptacle that is properly installed and earthed. In the event of an electrical short circuit, earthing reduces risk of electric shock. It is recommended that a separate socket serving only the oven be provided.

WARNING Improper electrical connection can result in a risk of electric shock.

Note

1. If you have any questions about the earthing or electrical instructions, consult a

The wires in this cable main are coloured in accordance with the following code:

Green and Yellow = EARTH

Blue = NEUTRAL

Brown = LIVE

Plug rewiring Diagram

RADIO INTERFERENCE

Operation of the microwave oven can cause interference to your radio, TV, or similar equipment.

When there is interference, it may be reduced or eliminated by taking the following measures:

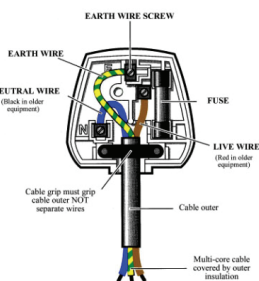
1. Clean door and sealing surface of the oven.
2. Reorient the receiving antenna of the radio or television.

3. Relocate the microwave oven with respect to the radio or television receiver.
4. Plug the microwave oven into a different wall socket so that microwave oven and receiver are on different circuits.

ADDENDUM

Rewiring Your Mains Plug

If you should damage your Mains Plug you should replace it with a 13A plug conforming to BS1363. Ensure that a correctly rated fuse conforming to BS1362 is fitted. Rewire it in accordance with the diagram shown as follows:



1. Attach the Yellow/Green or Green wire to the EARTH (E) terminal. **[NOTE IF YOUR APPLIANCE USES A 2 CORE CABLE DO NOT CONNECT ANY WIRE TO THIS TERMINAL.]**
2. Attach the Blue or Black wire to the Neutral (N) terminal.

3. Attach the Brown or Red wire to the LIVE (L) terminal.
4. Ensure the copper wires at the end of the coloured wires are screwed securely to the correct terminal connections.
5. Ensure that the cable clamp is adequately tightened over the outer sheath.
6. Replace the plug cover.
7. The outer sheath acts as a protective cover for the coloured wires. Do not allow these coloured wires to be exposed outside the plug.

IMPORTANT SAFETY INSTRUCTIONS

When using electrical appliances basic safety precautions should be followed, including the following:

energy:

1. Read all instructions before using the appliance.
2. Use this appliance only for its intended use as described in this manual. Do not use corrosive chemicals or vapours in this appliance. This type of oven is specifically designed to heat, cook or dry food. It is not designed for industrial or laboratory use.
3. Do not operate the oven when empty.
4. Do not operate this appliance if it has a damaged cord or plug, if it is not working properly or if it has been damaged or dropped. If the supply cord is damaged, it must be replaced by the manufacturer or its service agent or a similarly qualified person in order to avoid a hazard.
5. **WARNING:** Only allow children to use the oven under adequate adult supervision. High temperatures can be generated during the preparation of food which can cause serious burns.
6. To reduce the risk of fire in the oven cavity:
 - a. When heating food in plastic or paper container, observe the oven during operation due to the possibility of ignition;
 - b. Remove wire twist-ties from paper or plastic bags before placing bag in oven.
 - c. If smoke is observed, switch off or unplug the appliance and keep the door closed in order to stifle any flames.
 - d. Do not use the cavity for storage purposes. Do not leave paper products, cooking utensils or food in the cavity when not in use.
7. **WARNING:** Liquid or other food must not be heated in sealed containers since they are liable to explode.
8. Microwave heating of beverage can result in delayed eruptive boiling, therefore care has to be taken when handling the container.
9. Do not fry food in the oven. Hot oil can damage oven parts and utensils and even result in skin burns.
10. Eggs in their shell and whole hard-boiled eggs should not be heated in microwave ovens since they may explode even after microwave heating has ended.
11. Pierce foods with heavy skins such as potatoes, whole squashes, apples and chestnuts before cooking.
12. The contents of feeding bottles and baby jars should be stirred or shaken and the temperature should be checked before serving in order to avoid burns.
13. Cooking utensils may become hot because of heat transferred from the heated food. Potholders may be needed to handle the utensil.
14. Utensils should be checked to ensure that they are suitable for use in microwave oven.
15. **WARNING:** It is hazardous for anyone other than a trained person to carry out any service or repair operation which involves the removal of any cover which gives protection against exposure to microwave energy.
16. This product is a Group 2 Class B ISM equipment. The definition of Group 2 which contains all ISM (Industrial, Scientific and Medical) equipment in which radio-frequency energy is intentionally generated and/or used in the form of electromagnetic radiation for the treatment of material, and spark erosion equipment. For Class B equipment is equipment suitable for use in domestic establishments and in establishments directly connected to a low voltage power supply network which supplies buildings used for domestic purpose.

GENERAL SAFETY RULES

WARNING! Read and understand all instructions. Failure to follow all instructions listed below may result in electric shock, fire or serious personal injury. The warnings, cautions, and instruction discussed in this instruction manual cannot cover all possible conditions and situations that may occur. It must be understood by the user that common sense and caution are a factor which cannot be built into this product, but must be supplied by the person using the product.

CAUTION: A short power supply cord is provided to reduce the risk of personal injury resulting from the cord becoming tangled causing a potential tripping hazard. Extension cords are available from local hardware stores and may be used if care is exercised in their use. If an extension cord is required, special care and caution is necessary.

ELECTRIC POWER

If the electric circuit is overloaded with other appliances, your appliance may not operate properly. The appliance should be operated on a separate electrical circuit from other operating appliances.

MICROWAVE COOKING PRINCIPLES

1. Arrange food carefully. Place thickest areas towards outside of dish.
2. Observe cooking time. Cook for the shortest amount of time indicated and add more as needed. Food severely overcooked can smoke or ignite.
3. Cover foods while cooking. Covers prevent spattering and help foods to cook evenly.
4. Turn foods over once during microwaving to speed cooking of such foods as chicken and hamburgers. Large items like roasts must be turned over at least once.
5. Rearrange foods such as meatballs halfway through cooking both from top to bottom and from the centre of the dish to the outside.

UTENSILS GUIDE

1. The ideal material for a microwave utensil is transparent to microwave, it allows energy to pass through the container and heat the food.
2. **WARNING:** Do not use metal utensils or dishes with metal edges / decoration when using the microwave function. This can cause the oven to malfunction.
3. Do not use recycled paper products when

microwave cooking, as they may contain small metal fragments which may cause sparks and/or fires.

4. Round /oval dishes rather than square/oblong ones are recommend, as food in corners tends to overcook.

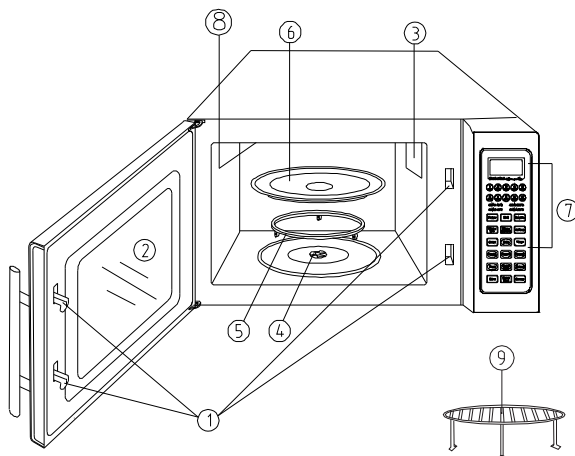
The list below is a general guide to help you select the correct utensils.

Cookware	Microwave	Grill	Convection	Combination*
Heat-Resistant Glass	Yes	Yes	Yes	Yes
Non Heat-Resistant Glass	No	No	No	No
Heat-Resistant Ceramics	Yes	Yes	Yes	Yes
Microwave-Safe Plastic Dish	Yes	No	No	No
Kitchen Paper	Yes	No	No	No
Metal Tray	No	Yes	Yes	No
Baking plate	No	Yes	Yes	Yes
Aluminum Foil & Foil Container	No	Yes	Yes	No

* Combination: applicable for both "microwave+ grill", and "microwave+ convection" cooking.

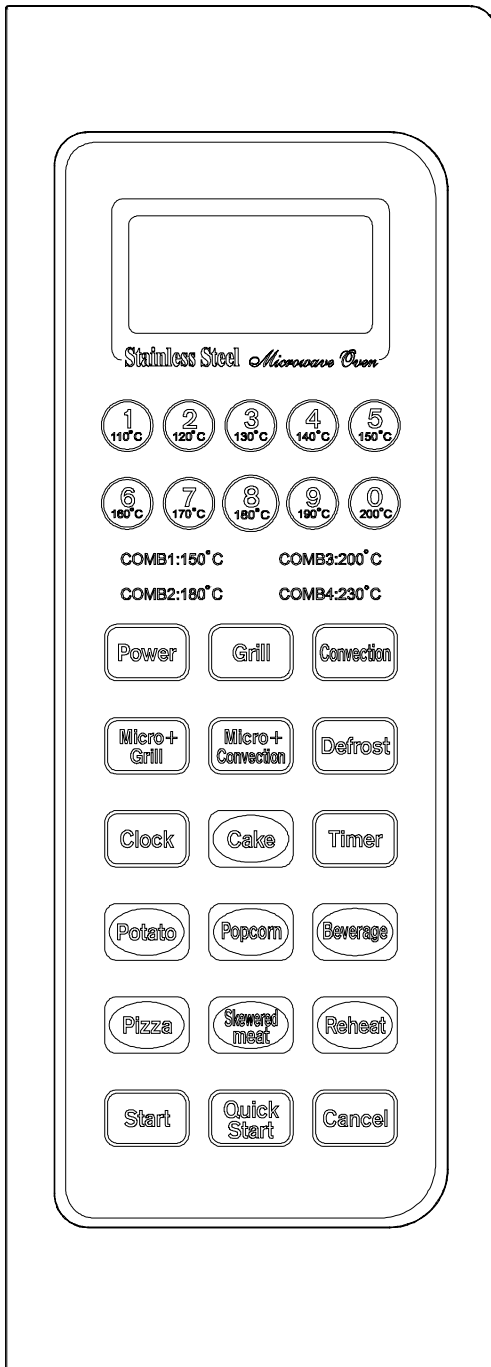
LIST OF MAIN PARTS

PART NAMES



1. Door Safety Lock System
2. Oven Window
3. Oven Air Vent
4. Shaft
5. Roller Ring
6. Glass Tray
7. Control Panel
8. Grill Heater
9. Metal Rack

CONTROL PANEL



DISPLAY SCREEN

Cooking time, power, indicators and present time are displayed.

POWER

Press to select microwave power level.

GRILL

Press to set a grill-cooking program.

CONVECTION

Press to program convection cooking.

MICRO + GRILL

Press to select one of two combination cooking settings.

MICRO + CONVECTION

Press to select one of four combination cooking settings.

DEFROST

Select to defrost food.

CLOCK

Use to set the clock

TIMER

Use to set the oven timer

QUICK COOK BUTTONS:

CAKE, POTATO, POPCORN, BEVERAGE, PIZZA, SKEWERED MEAT, REHEAT

START

Press to start cooking program.

QUICK START

Touch to start the oven quickly at full power

CANCEL

Touch to stop cooking program or clear all previous settings before cooking starts.

(Please also see the following pages for more detail)

HOW TO SET THE OVEN CONTROLS

AUDIBLE BEEPS DURING OVEN SETTINGS

- ◆ ONE BEEP: Oven accepts the entry.
- ◆ TWO BEEPS: Oven does not accept the entry. Please check and try again.

SETTING THE CLOCK

When the oven is first plugged in, the display will briefly show “ENTER CLOCK TIME”, you can set the clock time now or later. To set the clock time later,

1. Press CLOCK button.
2. Use the numeric pads to enter clock time
3. Press CLOCK to confirm.

MICROWAVE COOKING

Microwave cooking allows you to customize cooking power and time. First, you select a power level by pressing the POWER button a number of times (see the table below). Then you set the cooking time (maximum 99 min. plus 59 sec.) using the numeric pads, before pushing the START button.

Press POWER button to select cooking power		
Press	Power	Description
Once	100%(P-HI)	High
Twice	90%(P-90)	
3 times	80%(P-80)	
4 times	70%(P-70)	Medium High
5 times	60%(P-60)	
6 times	50%(P-50)	Medium
7 times	40%(P-40)	
8 times	30%(P-30)	Med. Low/Defrost
9 times	20%(P-20)	
10 times	10%(P-10)	Low
11 times	0%(P-00)	

Suppose you want to cook for 5 minute at 60%

power level.

1. Press POWER button 5 times.
2. Press number pads to enter cooking time until the correct cooking time (5:00) is displayed.
3. Press START button.

NOTE:

1. If you want to temporarily stop a cooking session, press the CANCEL pad once and then you can start the cooking again by press START; or press the CANCEL twice to cancel the cooking program altogether.
2. After the cooking time ends, the system will beep four times and END is displayed. Before starting another cooking session, press CANCEL pad to clear the display and reset the system.

GRILL

Grill cooking is particularly useful for thin slices of meat, steaks, chops, kebabs, sausages and pieces of chicken. It is also suitable for hot sandwiches and au gratin dishes.

Suppose you want to program grill cooking for 12 minutes.

1. Make sure the system is reset by pressing the CANCEL pad once.
2. Press GRILL button.
3. Use the number pads to enter cooking time.
4. Press START button.

NOTE:

Grill cooking power is set at full power level by the system. Maximum cooking time for grill is 99:59 .

CONVECTION

During convection cooking, hot air is circulated throughout the oven cavity to brown and crisp foods quickly and evenly. This oven can be programmed for ten different cooking temperatures.

To Cook with Convection

To cook with convection, press CONVECTION button once and then press the number pads to enter the desired convection temperature.

Suppose you want to cook at 180°C for 40 minutes.

1. Press CONVECTION button.
2. Press number pad 8 to set 180°C.
3. Use the number pads to enter cooking time.
4. Press START button.

NOTE:

1. The maximum convection cooking time is 9 hours, 99 minutes. After time has elapsed four beeps sound and END appears in display. Press CANCEL button or open door to clear END before starting another cooking function.
2. You can check the convection temperature while cooking is in progress by pressing the CONVECTION button.

To Preheat and Cook with Convection

Your oven can be programmed to combine preheating and convection cooking operations.

Suppose you want to preheat to 170°C and then cook 35 minutes.

1. Press CONVECTION.
2. Press number pad 7 to indicate convection temperature 170°C
3. Press START button. "PREH" will flicker in the display until it reaches the designated temperature.
4. Open the door and place container of food at the centre of the turntable.
5. Use the number pads to enter the cooking time.
6. Press START button.

MICROWAVE +GRILL

This feature allows you to combine grill and microwave cooking on two different settings. First, press this button once or twice to choose the required combination setting, then, at the screen prompt, enter the desired cooking time with the number pads. After you have pushed the start button, the system begins to count down.

NOTE:

1. The maximum cooking time that can be entered is 99:59
2. During cooking, you can see the programmed setting by pressing this button.

COMBINATION 1

30% time for microwave cooking, 70% for grill cooking. Use for fish, potatoes or au gratin.

Suppose you want to set combination 1 cooking for 25 minutes.

1. Press MICRO+GRILL button once.
2. Use the number pads to enter 25:00.
3. Press START button.

COMBINATION 2

55% time for microwave cooking, 45% for grill cooking. Use for pudding, omelets, baked potatoes and poultry.

Suppose you want to set combination 2 cooking for 12 minutes.

1. Press MICRO+GRILL button twice.
2. Use the number pads to enter 12:00.
3. Press START button.

MICROWAVE +CONVECTION

This oven has four pre-programmed settings that make it easy to cook with both convection heat and microwave automatically.

Press MICRO+CONVECTION button and then use the number pads 1-4 to program convection temperature:

	Press number pad	temperature(°C)
COMB1	1	150
COMB2	2	180
COMB3	3	200
COMB4	4	230

Suppose you want to bake a cake for 24 minutes on COMB3.

1. Press MICRO+CONVECTION button
2. Use the number pads 1-4 to enter convection temperature. In this case, press number pad 3.
3. Use the number pads to enter cooking time. In this case, press number pads 2 and 4.
4. Press START button to start.

NOTE:

The maximum cooking time is 9 hours, 99 minutes. After time has elapsed four beeps sound and END appears in display. Press CANCEL button or open door to clear END before starting another cooking function. You can check the convection temperature while cooking is in progress by pressing the MICRO+CONVECTION button.

DEFROST

Suppose you want to defrost frozen food for five minutes.

1. Press DEFROST button.
2. Use the number pads to enter defrosting time. In this case, press 5 and double zero.
3. Press START button.

NOTE:

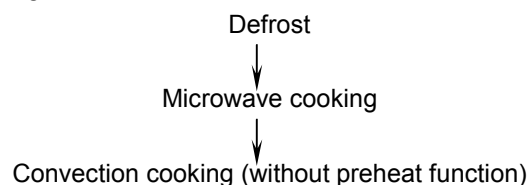
1. For either raw or previously cooked frozen food the rule of thumb is approximately 8 minutes per pound.
2. Always stop the oven periodically to remove or separate the portions that are defrosted. If food is not defrosted at the end of the estimated defrosting time, program the oven in 1-minute increments until totally defrosted.
3. When using plastic containers from the freezer, defrost only long enough to remove from plastic in order to place in a microwave-safe dish.
4. The maximum defrosting time is 99 minutes plus 59 seconds. After time has elapsed four beeps sound and END appears in display. Press CANCEL button or open door to clear END before starting another cooking function.

MULTI-STAGE COOKING

Your oven can be programmed for up to 3 automatic cooking sequences. DEFROST can only be selected before the cooking stage in a program.

Suppose you want to set the following cooking

program.



1. Press DEFROST button.
2. Use the number pads to enter defrosting time.
3. Press POWER button to set power level.
4. Use the number pads to enter cooking time.
5. Press CONVECTION button.
6. Use the number pads to program convection temperature.
7. Use the number pads to enter convection cooking time.
8. Press START button.

ABOUT THE AUTO-MENU SETTINGS

“AUTO COOK” allow you to cook or reheat food automatically without entering power level or time.

POTATO

1. Touch POTATO pad once or twice for potato 3-4 oz or 4-5 oz per serving.
2. Use the number pads 1-4 to select the number of servings.
3. Press START button.

NOTE:

After the cooking program have finished, let food stand in the oven for 5~10 minutes.

The cooking time quoted here is for reference only. Please always check to make sure the food is adequately cooked prior to consumption..

POPCORN

1. Press POPCORN once, the display will show code and cooking time.
2. Press START button.

NOTE:

To set a new POPCORN time: Press POPCORN twice, and use the number pads to enter the new popcorn time, and then press START button to verify. The new popcorn time will remain whenever you use the POPCORN function until you reset it.

PIZZA

Reheat a pizza of 3 ~4 oz.

1. Press PIZZA pad once
2. Press START button.

Reheat a bigger pizza.

1. Press PIZZA pad twice.
2. Press START button.

SKEWERED MEAT

1. Press SKEWERED MEAT once or twice for skewered meat 4 oz or 6 oz per amount.
2. Use the number pads 1-4 to select the amount

3. Press START button.

NOTE:

At the middle of cooking time, beeps will remind you to open the door and rearrange the food, and then close the door to cook for the remaining time.

BEVERAGE

1. Press BEVERAGE pad once or twice for beverage 4-6 oz or 7-9 oz per serving.
2. Use the number pads 1-4 to select the number of servings.
3. Press START pad.

REHEAT

1. Press REHEAT pad once, the display will show code and cooking time.
2. Press START button.

Note:

1. Food to be reheated is generally leftovers, beverages, or refrigerated foods with temperatures between 5-10 Celsius. The reheat weight:

Leftover rice or dishes: 7~17oz, chicken, duck, fish, vegetables and soup, etc.

Beverages: 2-3 cups, each cup contains 120~200ml.

Refrigerated foods: pizza 7~10oz.

2. Zero microwave power can serve as a timer. Also zero microwave power may serve to cool down the microwave oven's components.

CAKE

1. Press CAKE pad once, the display will show code and cooking time.
2. Press START button.

NOTE:

To set a new CAKE time: press CAKE twice, and use the number pads to enter the new cooking time, and then press START button to verify. The new cooking time (up to 99:59) will stay whenever you use the CAKE function until you rearrange it.

OTHER CONVENIENT FEATURES

MINUTE TIMER

To use the timer feature, e.g., when you need to be reminded of the cooking period etc.,

1. Press TIMER pad.
2. Use the numeric pads to enter the time to be counted down.
3. Press START pad.

NOTE: When the countdown ends, the system buzzer will sound two long beeps.

The maximum time is 99:59. Timer countdown can be seen in the display for 3 seconds before the display returns to the clock or cooking time.

CHILD PROOF LOCK

The child proof lock prevents unsupervised operation by small children.

To set the child proof lock: Press CANCEL button for 3 seconds, then a beep will sound and the indicator light will come on. In the lock state, all buttons are disabled.

To cancel the child proof lock: Press CANCEL button for three seconds, then a beep will sound

and the indicator light will come off.

QUICK START

Use this feature to program the oven to microwave food at 100% power conveniently.

Press QUICK START button in quick succession to set the cooking time. The maximum cooking time is 10 minutes. The oven will auto-start two seconds later. After time has gone four beeps sound and END appears in display. Press RESET button or open door to clear END before starting another cooking function.

TO STOP THE OVEN WHILE THE OVEN IS OPERATING

1. Press CANCEL button.
You can restart the oven by pressing START pad.
Touch CANCEL to erase all instructions.
2. Open the door.
You can restart the oven by closing the door and pressing START pad.

NOTE:

Oven stops operating when door is opened.

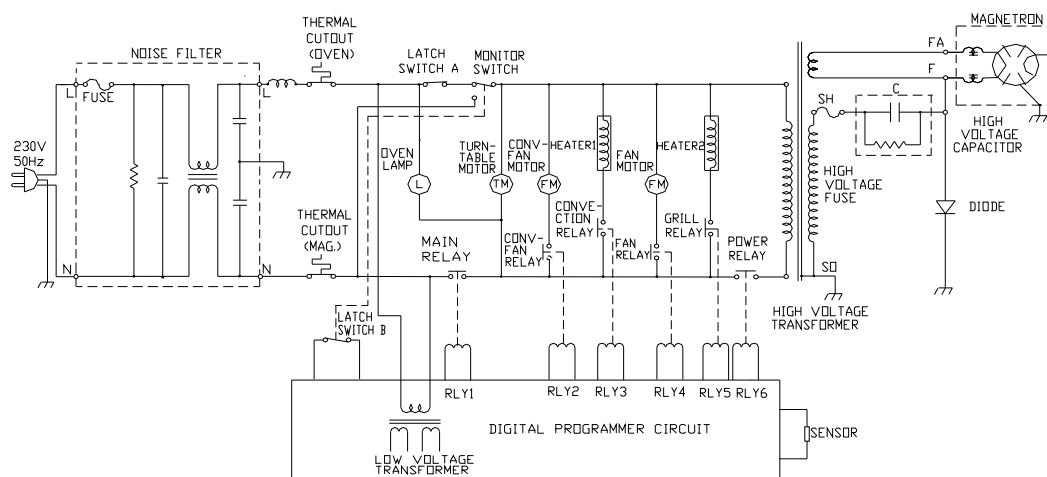
CLEANING AND CARE

1. Turn off the oven and remove the power plug from the wall socket before cleaning.
2. Keep the inside of the oven clean. When food splatters or spilled liquids adhere to oven walls, wipe with a damp cloth. Mild detergent may be used if the oven becomes very contaminated. Avoid the use of spray and other harsh cleaners as they may stain, streak or dull the door surface.
3. The outside surfaces should be cleaned with a damp cloth. To prevent damage to the operating parts inside the oven, water should not be allowed to seep into the ventilation openings.
4. Wipe the door and window on both sides, the door seals and adjacent parts frequently with a damp cloth to remove any spills or splatters. Do not use abrasive cleaners.
5. Do not allow the control panel to become wet. Clean with a soft, damp cloth. When cleaning the control panel, leave the oven door open to prevent oven from accidentally turning on.
6. If steam accumulates inside or around the outside of the oven door, wipe with a soft cloth. This may occur when the microwave oven is operated under high humidity conditions.
7. It is occasionally necessary to remove the glass tray for cleaning. Wash the tray in warm soapy water or in a dishwasher.

8. The roller ring and oven floor should be cleaned regularly to avoid excessive noise due to the build up of food debris. Simply wipe the bottom surface of the oven with mild detergent. The roller ring may be washed in mild soapy water or in a dishwasher. When removing the roller ring from the cavity floor for cleaning, be sure to replace it in the proper position.
9. Remove odours from your oven by combining a cup of water with the juice and skin of one lemon in a deep microwaveable bowl, microwave for 5 minutes. Wipe thoroughly and dry with a soft cloth.
10. When it becomes necessary to replace the oven light, please consult your retailer or service centre to have it replaced.
11. The oven should be cleaned regularly and any food deposits removed. Failure to maintain the oven in a clean condition could lead to deterioration of the surface that could adversely affect the life of the appliance and possibly result in a hazardous situation.
12. At the end of its life please dispose of this product in the correct way. It cannot be put into your normal household waste. Contact your local authority for advice on disposal.

SCHEMATIC DIAGRAM

NOTE: Door is closed
Unit is not operated



This product must be disposed of correctly. Please contact your Local Authority for the appropriate method of disposal.



MICROWAVE OVEN

WARRANTY CARD

Congratulations! You have made an excellent choice with the purchase of this quality product. Our commitment to quality also includes our service. Should you, contrary to expectations, experience defects due to manufacturing faults during private use within 36 months of the date of purchase we shall be liable for warranty in accordance with statutory warranty regulations provided that:

- the device was not put to any use other than the intended
- was not overloaded
- was not used with the wrong accessories
- repairs were not carried out by any other than the authorized workshop

The warranty certificate is only valid in connection with the receipt. Please keep both in a safe place. This warranty does not affect your statutory rights.

This purchase is guaranteed for a period of three years beginning on the day of purchase. Keep your purchase receipt safe as proof of date of purchase. The guarantee can only be extended for the duration of any repair required.

If the original receipt is not enclosed the repair will be charged in all case.





MICROWAVEOVEN

FAULT REPORT CARD

Name _____

Address _____

Email _____ Daytime Tel No _____

Fault Description _____

In order to deal with your enquiry as quickly and efficiently as possible please contact the below helpline numbers:

Helpline Numbers: UK 01422 263275
 ROI 1890 882 340

KEY ELECTRONICS
UNIT 20, ENTERPRISE CITY
MEADOWFIELD AVENUE
SPENNYMORE
COUNTY DURHAM
DL16 6JF